

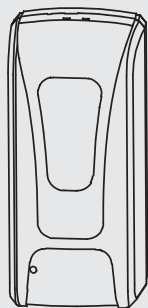


**HarborShield™**  
by PLUM GROVE®

# SPRAY HAND SANITIZER DISPENSER

Model: D1

## Contents



1x



4x

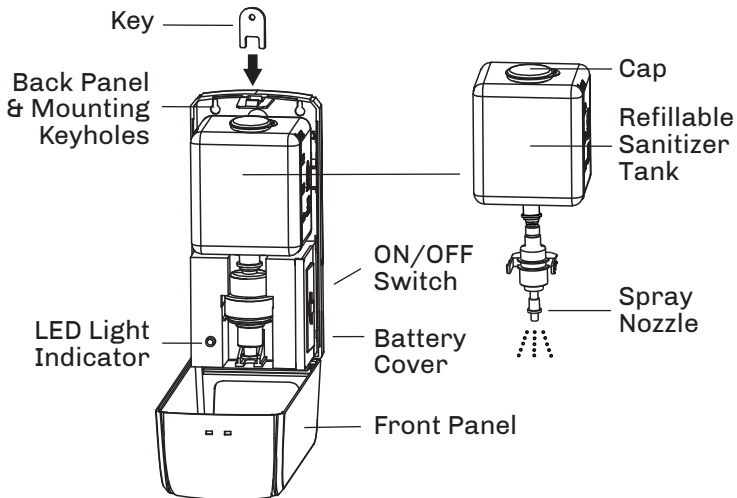


4x

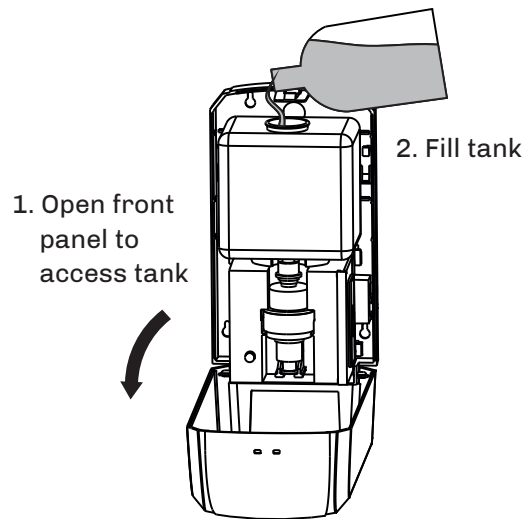


1x

## Parts

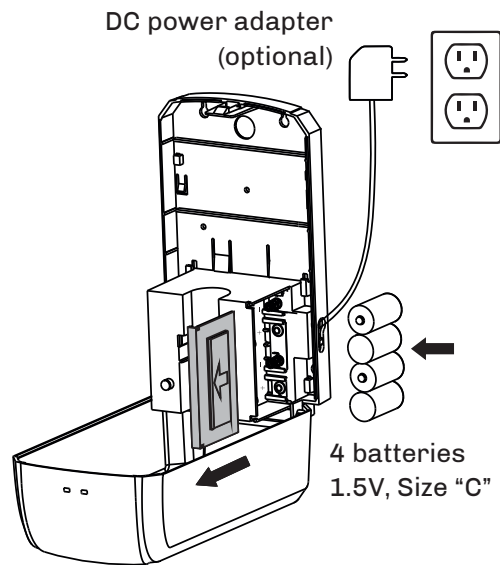


## Fill the Dispenser



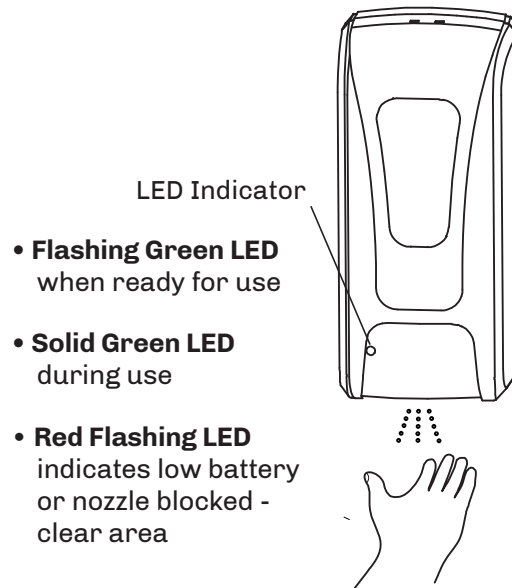
Ensure switch is in OFF position. Fill tank with liquid sanitizer. Turn switch to ON position to power on.

## Power the Dispenser



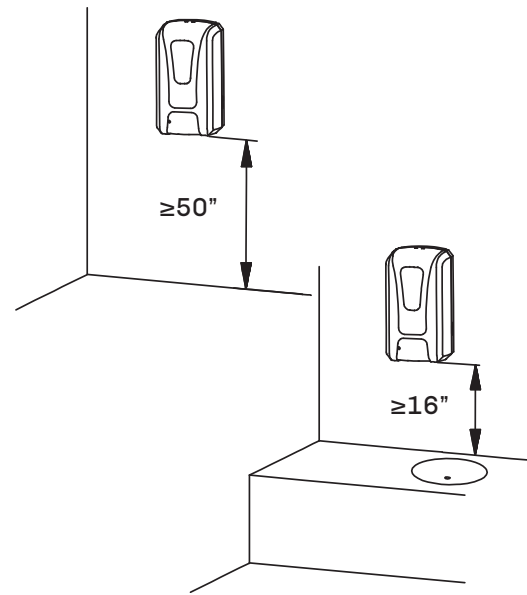
Install (4) "C" batteries or power with 6V1A power adapter (not included).

## Use the Dispenser



Position hand within 4" below dispenser.

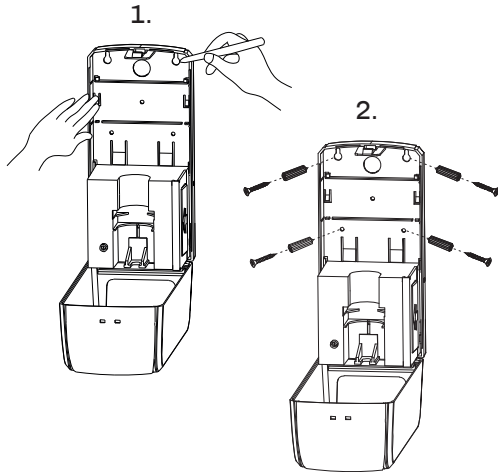
## Mounting Height



Position dispenser 8" minimum from surfaces to prevent false readings. Install out of direct sunlight and humidity.

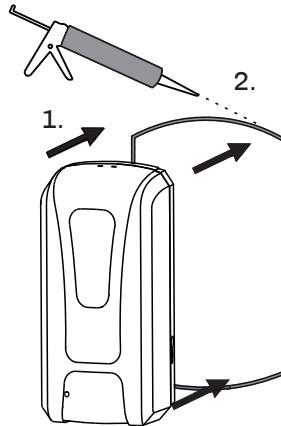
# Mounting Options

## Screws



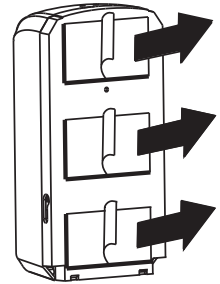
Mark back panel keyholes on mounting surface. Use anchors and screws (included) to mount dispenser.

## Silicone



Install on mounting surface using silicone sealant (not included).

## Adhesive



Install on mounting surface using double-sided adhesive (not included).